



# ICE

## Square Drive Tool

The ICE bolting system is the culmination of nearly 50 years of research and development dedicated to industrial bolting. Featuring patented industry-first innovations, the ICE is the most advanced hydraulic bolting system available today.

### Auto Release System

---



The ICE can automatically release itself when locked on a bolt. This reduces unplanned interruptions in the bolting process.

### Total-Freedom Uniswivel

---



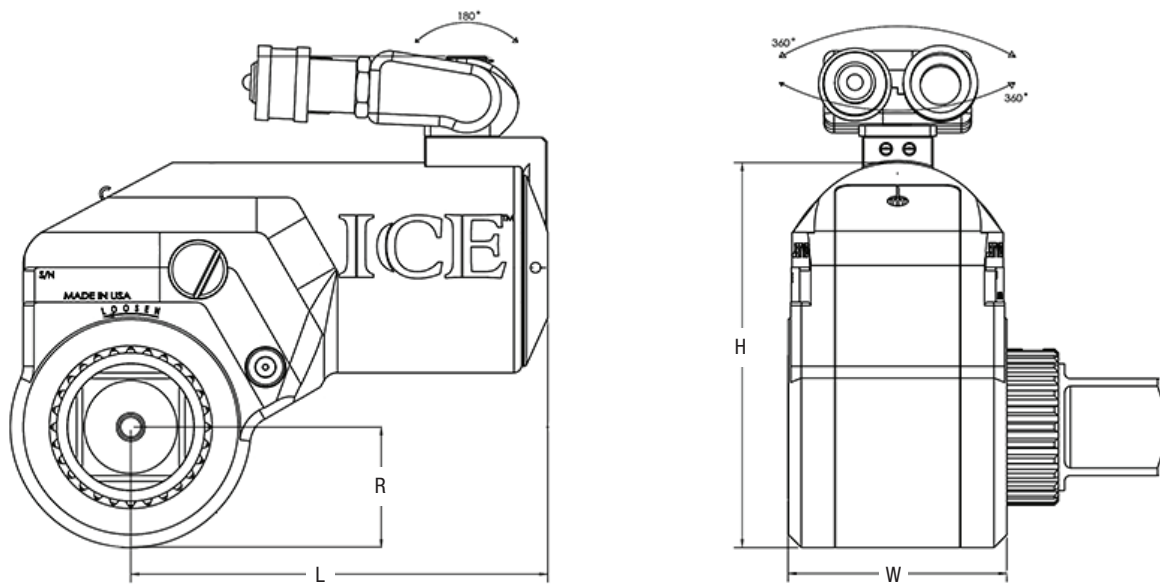
The ICE is the world's only hydraulic bolting system that allows for fast and flexible positioning without the constraints normally associated with hydraulic hoses.

## Multi-Use System



The ICE works with all HYTORC bolting systems including tensioning with the HYTORC Nut and the revolutionary new HYTORC Washer.

## Technical Data



Model	H (Inch)	W (Inch)	L (Inch)	R (Inch)	Drive (Inch)	Weight (Lbs)	Torque (ft-lbs)	
							MIN.	MAX.
ICE - 1	5.17	2.18	4.43	1.13	3/4	6.00	196	1,284
ICE - 3	6.58	2.90	5.53	1.52	1	10.00	460	3,084
ICE - 5	7.63	3.38	6.44	1.80	1 1/2	18.00	804	5,360
ICE - 11	9.57	4.35	8.35	2.25	1 1/2	22.00	1,800	11,743

## Contact Information

45 Corriveau Avenue  
St. Albert, AB,  
T8N 5A3

1-877-235-4733  
www.hytorcwest.ca

**HYTORC**  
Since 1968