



# EDGE

## Square Drive Tool

For general maintenance that requires high torque values and repeatable results, the Edge is HYTORC's workhorse. The straightforward three-moving-part design was created by HYTORC over 30 years ago and has been consistently improved upon resulting in the most tried and tested line of hydraulic torque wrenches in the world.

### Simple operation

---



The three-moving part design of the Edge series reduces the number of potential repairs and keeps operating costs to a minimum.

### Multi-Axis Swivel

---



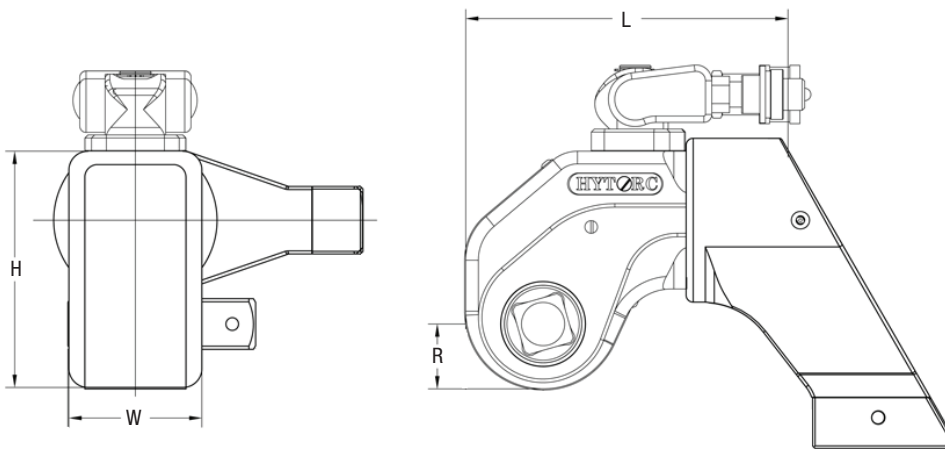
The multi-axis swivel is used on all HYTORC hydraulic torque wrenches (with the exception of the ICE series) for maximum positioning flexibility and safety.

## Push-Through Drive



For quick and simple directional changes and maximum durability, the Edge series features a push through square drive.

## Technical Data



Model	H (Inch)	W (Inch)	L (Inch)	R (Inch)	Drive (Inch)	Weight (Lbs)	Torque (ft-lbs)	
							MIN.	MAX.
EDGE - .5	2.95	1.64	4.01	0.82	3/4	3.30	106	710
EDGE - 2	3.53	1.97	4.94	0.97	3/4	4.05	178	1,257
EDGE - 4	4.71	2.63	6.40	1.31	1	8.50	443	3,079
EDGE - 6	6.04	3.18	7.61	1.57	1 1/2	19.20	893	6,241
EDGE - 8	6.57	3.57	8.69	1.86	1 1/2	20.05	1,230	8,555
EDGE - 12	7.07	3.95	9.60	1.96	1 1/2	25.00	1,615	11,291
EDGE - 30	10.10	5.64	13.71	2.79	2 1/2	64.70	4,448	29,650

## Contact Information

45 Corriveau Avenue  
St. Albert, AB,  
T8N 5A3

1-877-235-4733  
www.hytorcwest.ca

**HYTORC**  
Since 1968