



# XLCT

## Low Clearance Tool

HYTORC's low clearance workhorse. Since 1992, the signature red housing has represented quality, durability and reliability on job sites in every major industry. From the tallest roller coasters to the world's largest bridges, the XLCT has the power to get the job done.

### Lock-Up Release

---



Like the MXT, the XLCT features a release lever that allows you to release the tool after torquing for easy removal. (Also found on Stealth limited-clearance series)

### Zero-Slip Ratchet

---



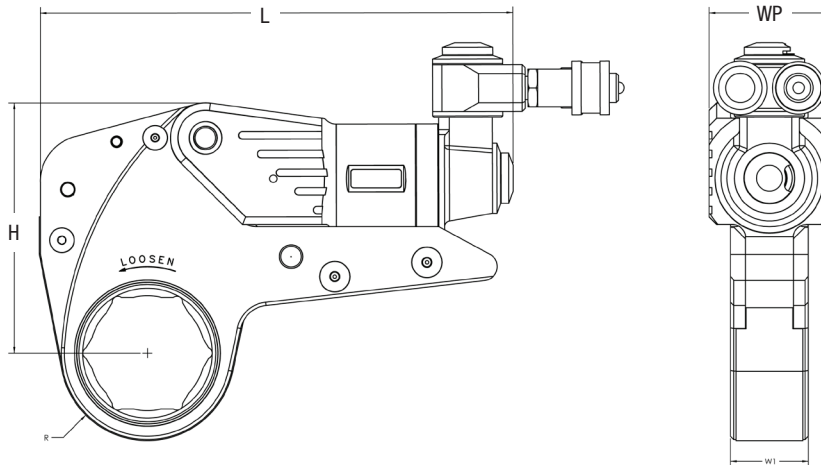
The XLCT series features a Zero-Slip ratchet for more powerful breakout and faster tightening. The secondary pawl inside the tool prevents the ratchet from turning opposite of the direction it is being driven.

## Multi-Use Accessories



The XLCT series is available with interchangeable cartridges for 6-point hex, 12-point hex, allen drives, square drives, open spanners and many other configurations to simplify the most challenging bolting jobs.

## Technical Data



Model	H (Inch)	WP (Inch)	WL (Inch)	L (Inch)	R (Inch)	Weight (Lbs)	Torque (ft-lbs)	
							MIN.	MAX.
XLCT - 2	4.02	2.00	1.25	7.33	1.03 to 1.76	2.05	243	1,687
XLCT - 4	5.36	2.58	1.67	10.19	1.33 to 2.32	4.25	580	3,855
XLCT - 8	6.70	3.23	2.09	12.29	1.77 to 2.89	7.15	1,143	8,151
XLCT - 14	8.04	3.88	2.50	14.61	2.32 to 3.47	11.30	2,010	13,400
XLCT - 18	9.08	4.38	2.83	14.34	2.62 to 3.87	14.85	2,790	19,100
XLCT - 30	10.71	5.17	3.35	16.82	3.07 to 4.80	23.80	4,579	30,986

## Contact Information

45 Corriveau Avenue  
St. Albert, AB,  
T8N 5A3

1-877-235-4733  
www.hytorcwest.ca

**HYTORC**  
Since 1968